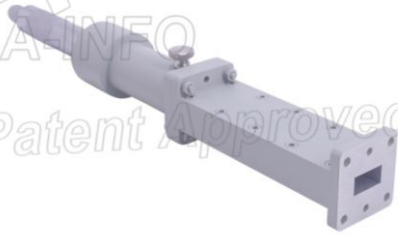


Technical Specification

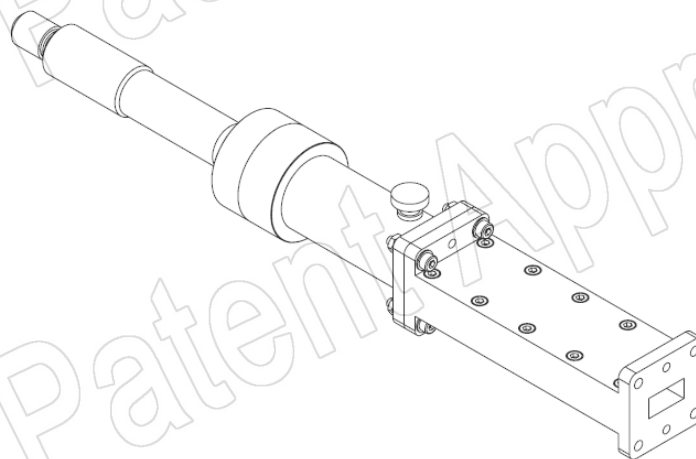
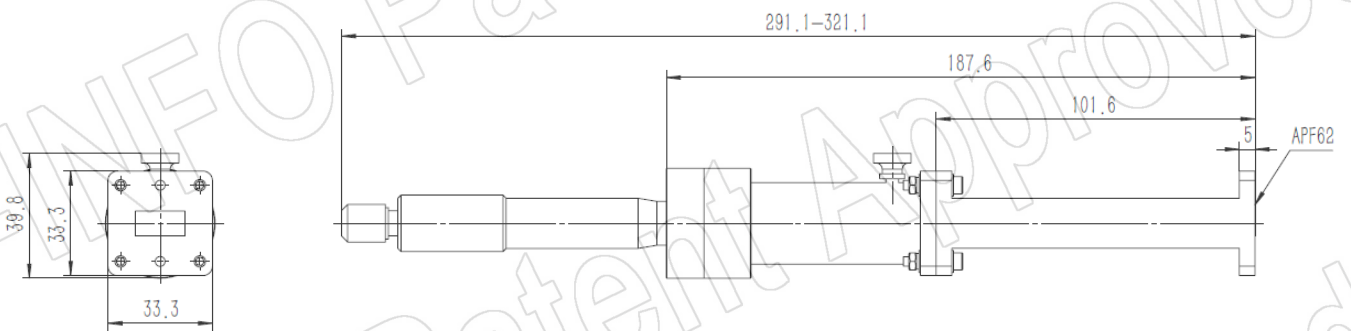


EIA WR	WR62
Frequency Range(GHz)	12.4 – 18.0
VSWR	>50
Flange	APF62
Material	Al
Size(L)(mm)	291.1~321.1
Net Weight(Kg)	0.44 Around

PATENT ID (China)

ZL202010897766.X, ZL202030750674.X

Outline Drawing (Size: mm)



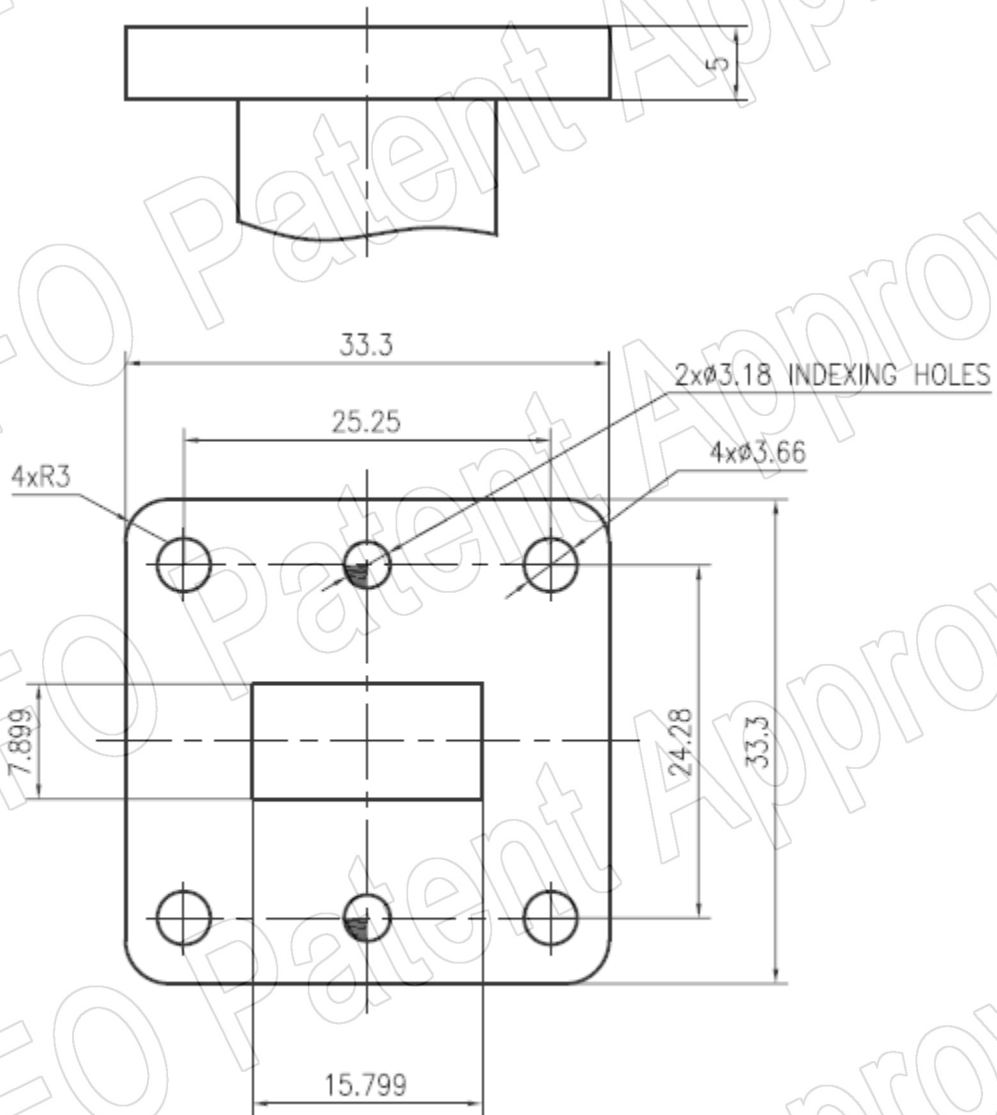
AINFO Inc.

Page 1 of 4

China(Beijing): Tel: (+86) 10-6266-7326, (+86) 10-6266-7327 Fax: (+86) 10-6266-7379
 China(Chengdu): Tel: (+86) 28-8519-2786, (+86) 28-8519-3044 Fax: (+86) 28-8519-3068
 USA: Tel: (+1) 949-639-9688, (+1) 949-639-9608 Fax: (+1) 949-639-9670

Website: www.ainfoinc.com
 Email: sales@ainfoinc.com

Flange Drawing (Size: mm)



APF62

AINFO Inc.

Page 2 of 4

China(Beijing):
China(Chengdu):
USA :

Tel: (+86) 10-6266-7326,
Tel: (+86) 28-8519-2786,
Tel: (+1) 949-639-9688,

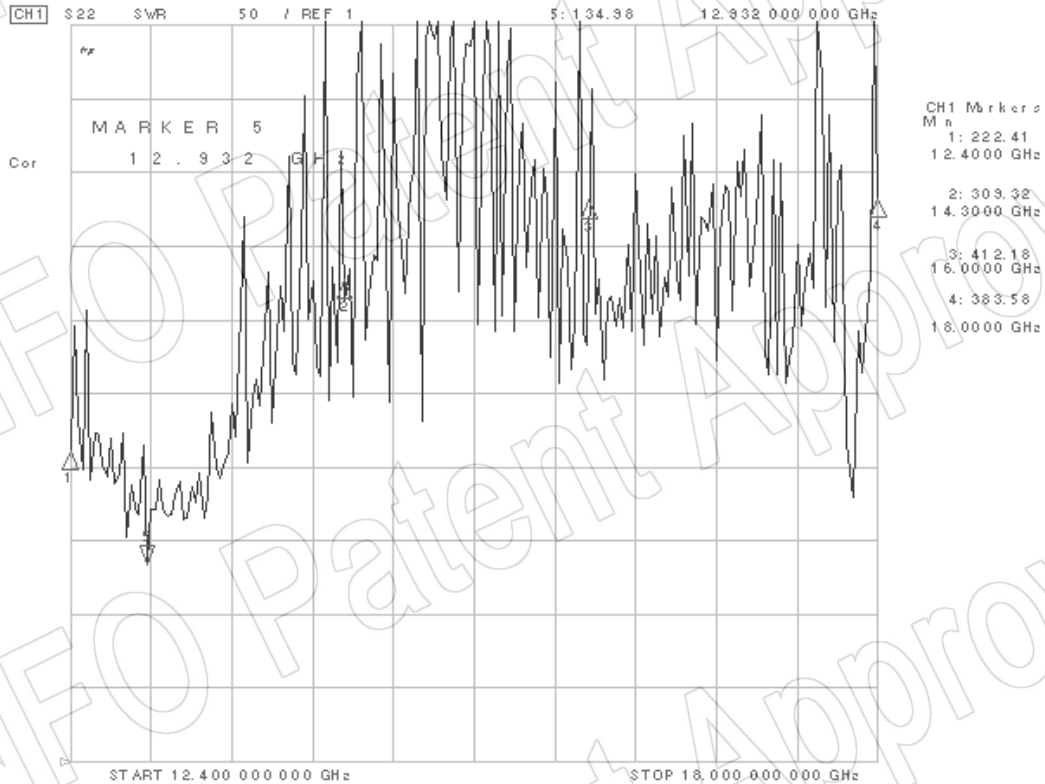
(+86) 10-6266-7327
(+86) 28-8519-3044
(+1) 949-639-9608

Fax: (+86) 10-6266-7379
Fax: (+86) 28-8519-3068
Fax: (+1) 949-639-9670

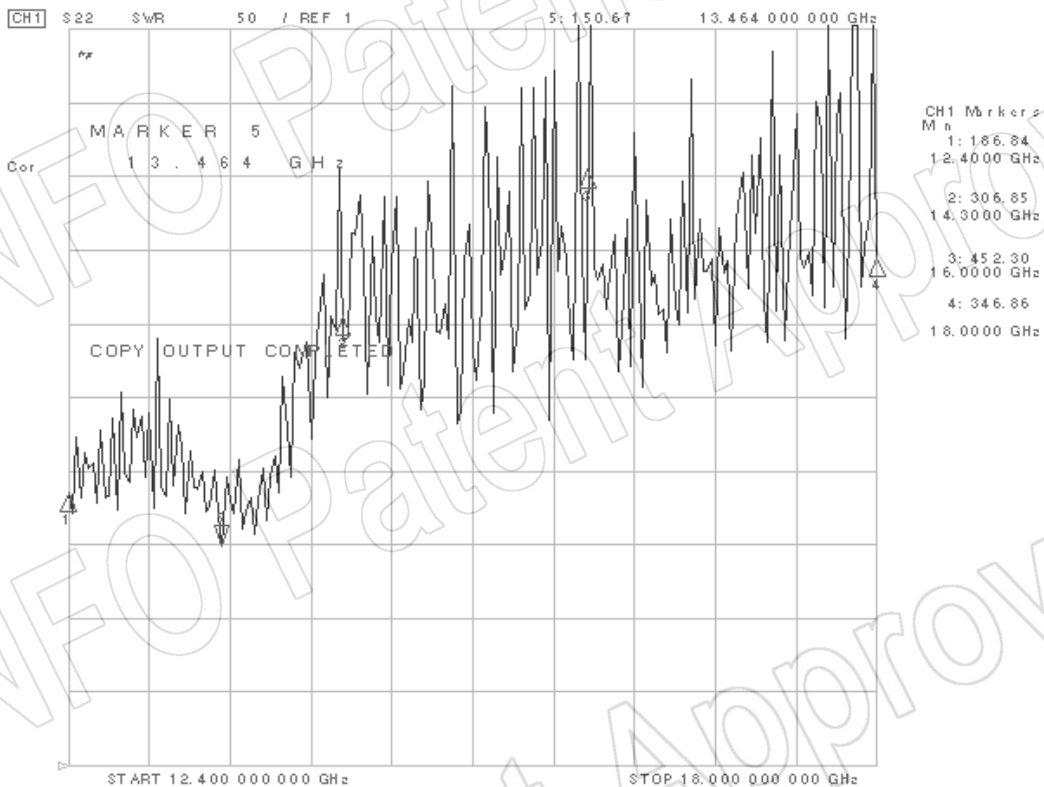
Website: www.ainfoinc.com
Email: sales@ainfoinc.com

Test Results

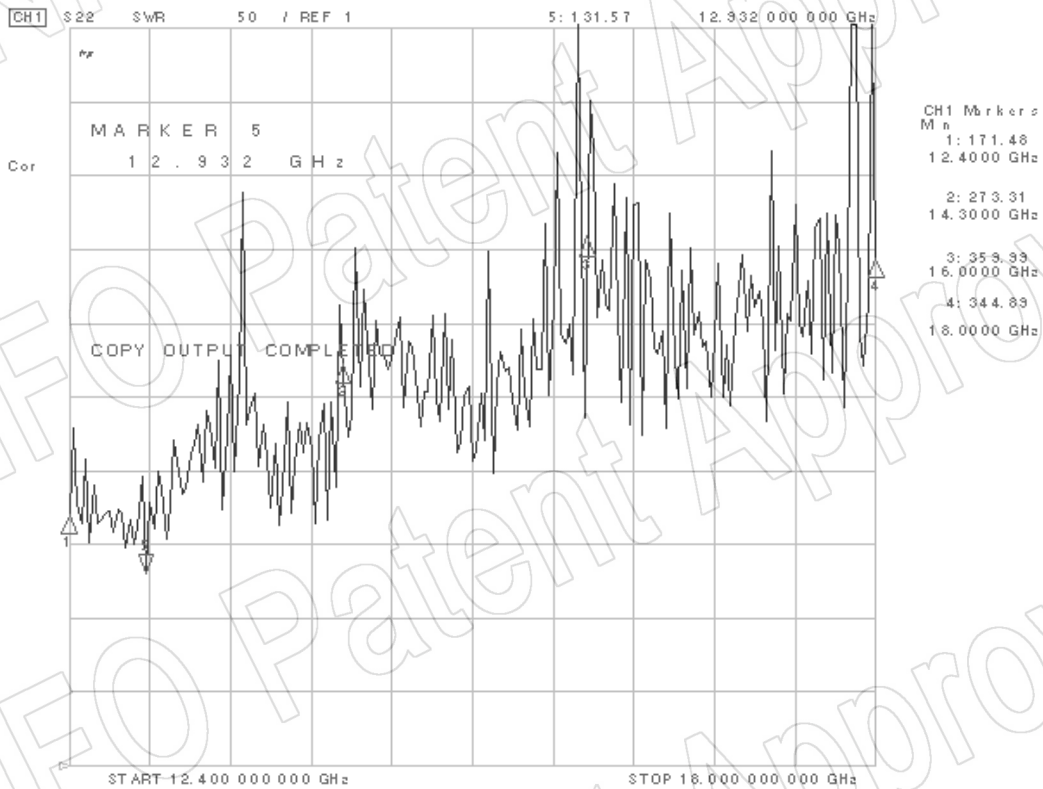
VSWR (at 0mm)



VSWR (at 10mm)



VSWR (at 20mm)



VSWR (at 30mm)

